



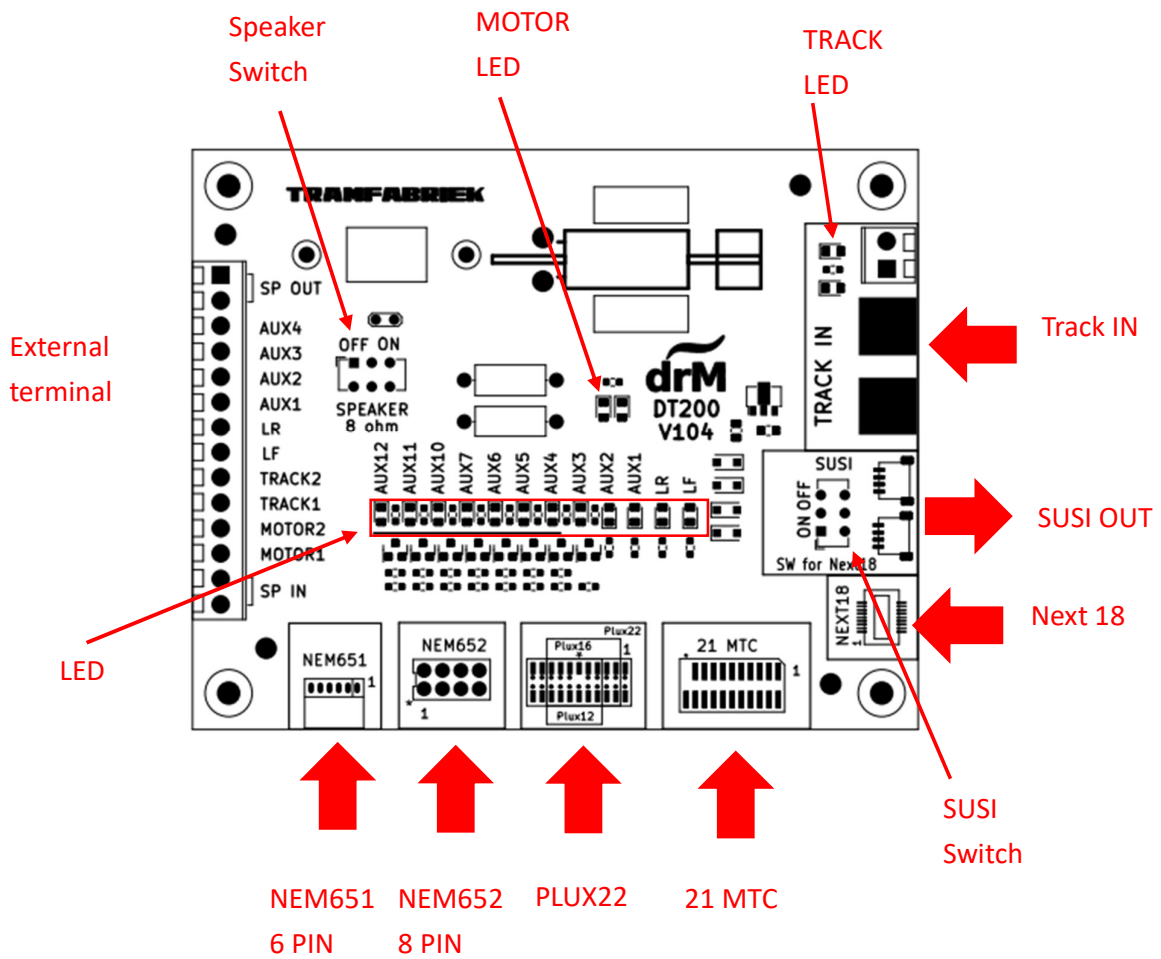
DT200 DCC Test Board

Ver. 102

2023/10

1. Function

- I. 6 types of decoder interfaces.
- II. Track power input LED display.
- III. Motor power LED display.
- IV. 1W speaker output.
- V. 12 LED output display.
- VI. Two types of track power input interfaces.
- VII. SUSI interface
- VIII. Output LEDs can distinguish between logic or power output.



2. Track IN

- I. The DCC controller rail power supply has two input terminals.
- II. Track LED will light up when DCC controller has output.

3. Connect

- I. DT200 can connect NEM652, NEM651, 21MTC, PLUX22, NEXT18 various DCC decoders.
- II. Only one kind of DCC decoder can be connected at a time. Do not plug in different decoders at the same time.
- III. When plugging in the decoder, please confirm that it is correctly inserted into the socket before inputting power. Incorrectly inserting the connector may cause damage to the decoder or test board.

4. SUSI OUT

- I. SUSI out is used to connect SUSI decoder.
- II. The two SUSI OUTs are the same. Please connect one of the connectors when connecting.
- III. Next 18 Aux3,4 can switch Function and SUSI output. The SUSI switch is used to switch Next18 Aux3,4. When the switch is off, Aux3,4 is function output. When the switch is on, Aux3,4 is SUSI output.
- IV. Plux22, 21MTC SUSI output directly connected to SUSI terminal
- V. Aux11 and Aux12 are common pins for function and SUSI. When the decoder output is SUSI, Aux11 and Aux12 will keep flashing.

5. LED

- I. 12 LED function display.
- II. Aux4~Aux12 LEDs can display logic and power output.
- III. When the decoder is Power output, the LED light is lit when the controller function key is pressed, and the LED light is off when the function key is turned off.
- IV. When the decoder is logic output, the LED light is off when the controller function key is pressed, and the LED light is lit when the function key is turned off.

Note:

1. Logic output = Low powered output. Not for use with tungsten lamp or multiple LEDs. Please read the logic output usage of the decoder manual

2023/10

before use.

2. Power output = Amplified output. Use for Tungsten lamp or multiple LEDs. Before use, please pay attention to whether the output current of the decoder is consistent, so as not to cause damage to the decoder.

6. Motor

- I. The motor LED shows the state of the motor controlled by the decoder.

7. Speaker

- I. When the decoder is already connected to a speaker, the speaker switch needs to be turned off.
- II. The built-in speaker specification is 8 ohm 1 watt, please pay attention to the decoder speaker output specification.
- III. When you need to connect an external speaker, you can connect it to the speaker through the SP-OUT of the external terminal. Switch the speaker switch to OFF, and the speaker output of the decoder will be connected to the external terminal SP-OUT.

8. External terminal

- I. The decoder only has wires, and when there is no connector, the external terminal can be used to connect the test decoder.
- II. Only use external terminals to connect to the decoder, please confirm that the corresponding function of each cable of the decoder is connected to the corresponding terminal port.

9. Precautions

- I. This product is not a toy, please do not give it to children under the age of 14.
- II. This product has a built-in motor. Please do not touch the rotating part of the motor with any part of your body to avoid danger.
- III. Do not modify or replace the internal parts of this product to avoid damage.
- IV. Do not place conductive substances and liquids in the product to avoid damage.